

Technical specification



Suitable for the following cable types:

- Non-armoured cable
- Marine shipboard cable; Type P cable
- Tray cable

Provides 25% of cable clamping. As per IEC60079 § A.2.3.2 for group II or III cable glands, "without a clamping device, additional clamping of the cable is needed to ensure that pulling & twisting is not transmitted to the terminations". We recommend using the certified ADE clamping module (page 32).

Operating temperature:

-60°C to +140°C

Material:

Nickel-plated brass for superior corrosion resistance. 316 stainless steel option available. It is recommended that a suitable lubricant is used on all threads of stainless steel and aluminum versions.

Ingress protection (IP):

IP66 / IP68 according to the method of attachment and the condition of the equipment area, see page 13.

Certifications and compliances:

ATEX certificate no: INERIS12ATEX0032X

Zones 1 and 2, Groups IIA, IIB and IIC
Zones 21 and 22, Groups IIIA, IIIB and IIIC

Ex II2GD / Ex db IIC / Ex eb IIC / Ex tb IIIC

Ex II3G Ex nRc IIC

IECEx certificate no: IECEx INE 12.0025X

Zones 1 and 2, Groups IIA, IIB and IIC
Zones 21 and 22, Groups IIIA, IIIB and IIIC
Ex db IIC / Ex eb IIC / Ex nRc IIC / Ex tb IIIC

Other certificates:

CEPEL 05.0558X

CCoE P360379-1

KOSHA 2015-BO-0249 to 0256

NANIO TC-RU C-FR.ГБ05.B.00858

NEPSI GYJ13.1082X

SABS MS/15-0314X

Shipping application:

ABS 14-HS1274083-PDA

BV 40910/A0 BV

DNV TAE000010X

Lloyds 11/00072

DTS-01:1991 compliant

UL certification:

UL LISTED 3DJN E310130 ; Class I, Zone 1*, AEx e II

ADE sizes 3 to 8, ISO 20 to 40 with TC-ER-HL non-armoured cable up to 1" diameter.

UL LISTED 3DJN E310130 Class I Zone 2*, AEx e II, Ex e II

ADE sizes 3 to 17, ISO 20 to 110 with non-armoured cable types ITC, MV, PLTC, TC-ER, TC-ER-HL, TC.

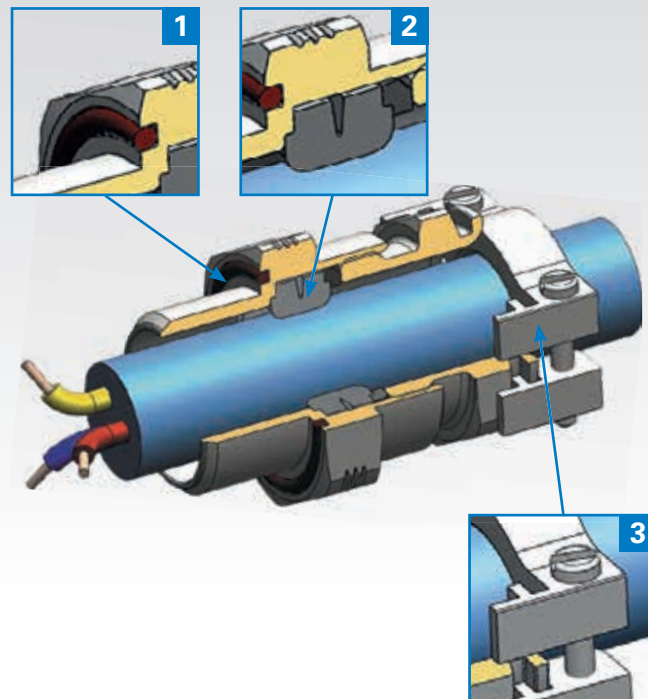
UL LISTED 3LRC E314047 Class I Zone 2*, AEx e II, Ex e II

ADE sizes 3 to 17, ISO 20 to 110 with non-armoured marine cable.

*Can be used in Div.2 provided that the enclosure contains no components that produce arcs or sparks.



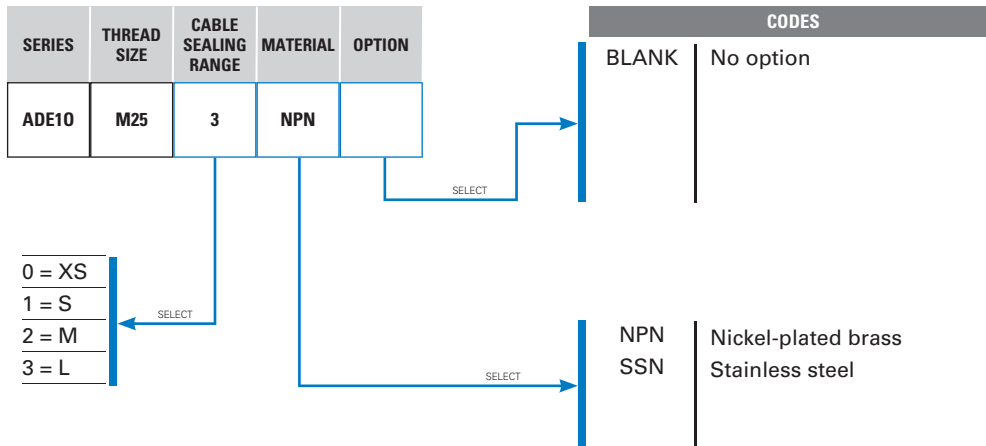
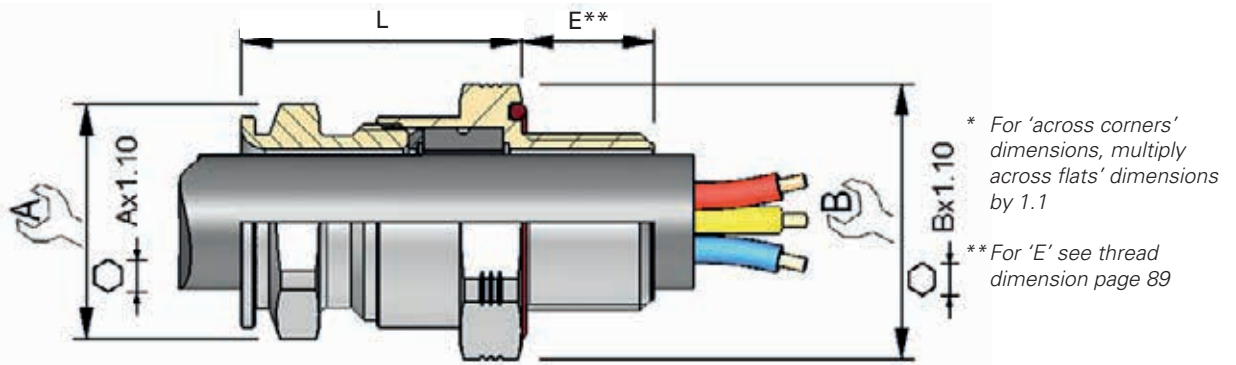
Features and benefits



- 1: Integrated O-ring eliminates need for externally fitted sealing washer.
- 2: Specifically formulated elastomer for IP sealing on outer sheath of cable.
- 3: Additional external cable clamping for strain relief (optional).



Dimensions



SELECTION TABLE				DIMENSIONS			ADE GLAND SIZE	CATALOG NUMBER ISO		
SERIES	THREAD SIZE	THREAD SIZE CODE	CABLE SEALING RANGE	CABLE SEALING RANGE ISO		A			B	L (LENGTH)
				OUTER SHEATH MIN - MAX						
ADE10	20	M20	0	2.8 - 5.5		15	28	39.0	3	ADE10M200NPN
ADE10	20	M20	1	4.5 - 8.5		17	28	40.0	4	ADE10M201NPN
ADE10	20	M20	2	7.0 - 12.0		19	28	40.0	5	ADE10M202NPN
ADE10	20	M20	3	10.0 - 16.0		24	28	47.0	6	ADE10M203NPN
ADE10	25	M25	1	7.0 - 12.0		19	34	42.5	5	ADE10M251NPN
ADE10	25	M25	2	10.0 - 16.0		24	34	47.0	6	ADE10M252NPN
ADE10	25	M25	3	13.5 - 20.5		30	34	51.5	7	ADE10M253NPN
ADE10	32	M32	2	13.5 - 21.0		30	41	61.0	7	ADE10M322NPN
ADE10	32	M32	3	18.0 - 27.5		41	41	61.0	8	ADE10M323NPN
ADE10	40	M40	2	18.0 - 27.5		41	48	65.0	8	ADE10M402NPN
ADE10	40	M40	3	23.0 - 34.0		48	48	65.0	9	ADE10M403NPN
ADE10	50	M50	0	23.0 - 34.0		48	58	68.0	9	ADE10M500NPN
ADE10	50	M50	1	29.0 - 41.0		55	58	68.0	10	ADE10M501NPN
ADE10	50	M50	2	35.0 - 45.0		64	64	72.5	11	ADE10M502NPN
ADE10	63	M63	2	35.0 - 45.0		64	72	77.0	11	ADE10M632NPN
ADE10	63	M63	3	42.0 - 56.0		72	72	77.0	12	ADE10M633NPN

All dimensions in mm. Above catalog numbers are for nickel-plated brass; refer to order code diagram for other options.